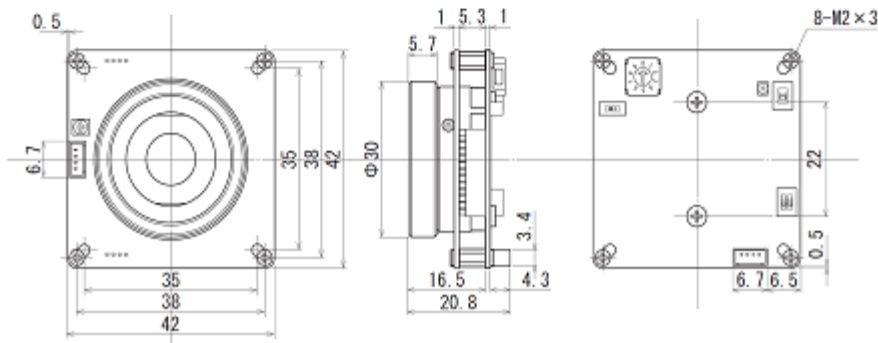


SPECIFICATIONS

Model		W-01MAB2 (EIA)	W-01MAB2 (CCIR)
Pick-up element		1/2 inch interline transfer CCD image sensor	
Number of total pixels		811(H) × 508(V)	795(H) × 596(V)
Number of effective pixels		768(H) × 494(V)	752(H) × 582(V)
Unit cell size		8.4µm(H) × 9.8µm(V)	8.6µm(H) × 8.3µm(V)
Synchronizing system		Internal / External (CVBS, VBS, BBS)	
Scanning system		2:1 interlace	
Video output		Composite Video, 1Vp-p, 75ohms, unbalanced	
Resolution (Horizontal)		570TVL (Center)	
Minimum illumination		0.0003lx F1.4	
S/N		More than 50dB (AGC=5dB, γ=1.0)	
AE mode	Fixed	1/60, 1/100sec.	1/50, 1/120sec.
		1/250, 1/500, 1/1000, 1/2000, 1/5000, 1/10000, 1/100000 sec.	
	EI	1/60 - 1/100000 sec. 1/100 - 1/100000 sec.	1/50 - 1/100000 sec. 1/120 - 1/100000 sec.
AGC		HI: 5 - 50dB / LO: 5 - 32dB	
MGC		HI: 32 - 50dB / LO: 5 - 32dB	
Gamma characteristics		γ ≈ 0.45(ON) / γ = 1.0(OFF)	
Lens iris		Video / DC (EIAJ arrangement)	
Power supply		DC+12V±10%	
Power consumption		1.56W (130mA)	
Operating temperature		-10°C - +40°C	
Storage temperature		-30°C - +70°C	
Operating / Storage humidity		Less than 95% RH (Without condensation)	
Lens mount		CS mount	
Weight		Approx. 35g	

※Design and specifications are subject to change without notice.

DIMENSIONS (mm)



SDT - Dr. Seitner GmbH

MUEHLBACHSTR. 20 PHONE: +49 8152 37200
D-82229 SEEFELD FAX: +49 8152 79880

E-MAIL: org@sdt-seitner.com
HOMEPAGE: www.sdt-seitner.com