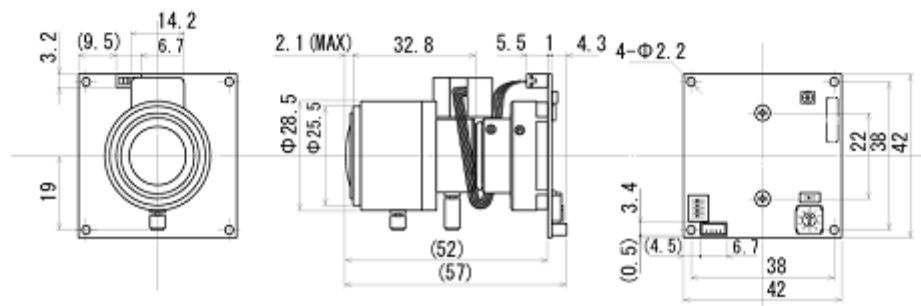


**SPECIFICATIONS**

Model		W-02CDB3 (NTSC)	W-02CDB3 (PAL)
Pick-up element		1/3 inch interline transfer CCD image sensor	
Number of total pixels		811(H) × 508(V)	795(H) × 596(V)
Number of effective pixels		768(H) × 494(V)	752(H) × 582(V)
Unit cell size		6.4µm(H) × 7.5µm(V)	6.5µm(H) × 6.3µm(V)
Synchronizing system		Internal	
Scanning system		2:1 interlace	
Video output		Composite Video, 1Vp-p, 75ohms, unbalanced	
Resolution (Horizontal)		450TVL (Center)	
Minimum illumination		3.0lx F1.6	
S/N		More than 50dB (AGC=3dB, $\gamma=1.0$ )	
AE mode	Fixed	1/60, 1/100 sec.	1/50, 1/120 sec.
	Built-in iris lens	1/250, 1/500, 1/1000, 1/2000, 1/5000, 1/10000, 1/20000, 1/50000 sec.	
White balance		DC DRIVE	
AGC		ATW, Preset (3200K, 5100K, 8200K)	
Gamma characteristics		3 - 24dB	
Video level		$\gamma \approx 0.45$	
Mirror image function		100IRE / 75IRE	
Power supply		ON / OFF	
Power consumption		DC+12V±10%	
Operating temperature		1.26W (105mA)	
Storage temperature		-10°C - +40°C	
Operating / Storage humidity		-30°C - +70°C	
Lens mount		Less than 95% RH (Without condensation)	
Lens		φ 14mm	
Weight		Built-in vari-focal Lens f=2.8 - 10mm F1.6(2.8)	
		Approx. 55g	

※Design and specifications are subject to change without notice.

**DIMENSIONS (mm)**

**SDT - Dr. Seitner GmbH**

MUEHLBACHSTR. 20 PHONE: +49 8152 37200  
D-82229 SEEFELD FAX: +49 8152 79880

E-MAIL: org@sdt-seitner.com  
HOMEPAGE: www.sdt-seitner.com