

WAT-240 VIVID

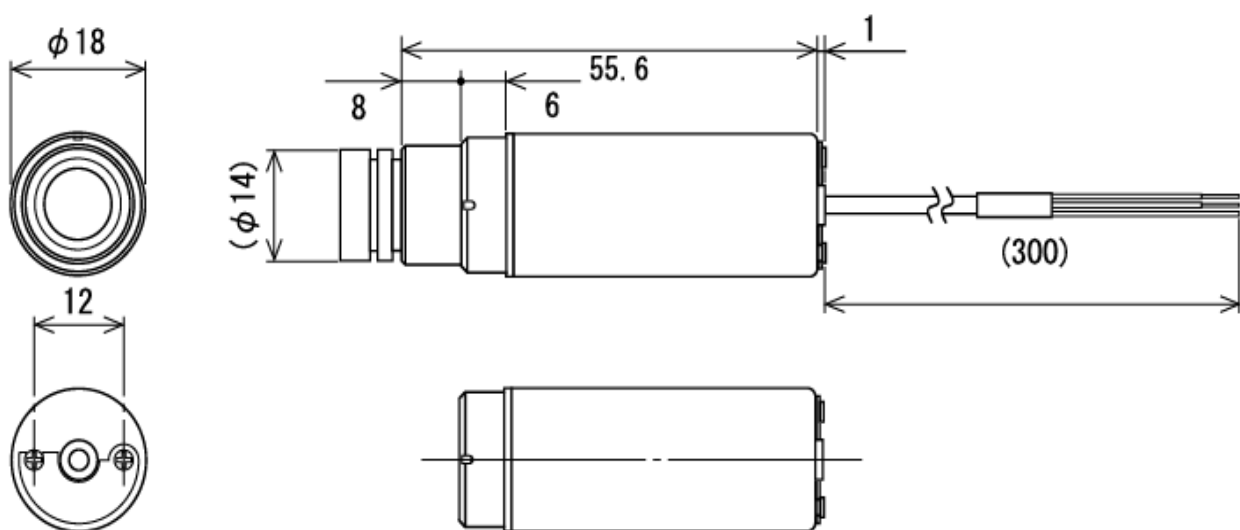
Color Camera



【SPECIFICATIONS】

Model	WAT-240 VIVID (NTSC/PAL)
Pick-up element	1/4inch interline transfer CCD image sensor
Number of total pixels	811(H) × 507(V) (NTSC), 795(H) × 595(V) (PAL)
Number of effective pixels	768(H) × 494(V) (NTSC), 752(H) × 582(V) (PAL)
Unit cell size	4.9 μm(H) × 5.6 μm(V) (NTSC), 5.0 μm(H) × 4.7 μm(V) (PAL)
Scanning system	2:1 interlace
Synchronizing system	Internal
Video output	Composite video, 1.0Vp-p, 75ohm Unbalanced
Resolution (Horizontal)	450TV lines (Center)
Minimum illumination	1.6 lx. (F2.0)
Gamma correction	$\gamma \cong 0.45$
AGC	6-30dB
S/N ratio	More than 50dB (AGC OFF, $\gamma=1.0$)
White balance	Automatic
Back light compensation	ON
Electronic iris	1/60-1/100,000 sec. (EIA), 1/50-1/100,000 sec. (CCIR)
Standard lens	(Glass, f3.8mm, F2.0) or (Pinhole, f3.7mm, F4.5)
Power supply	DC+6V (DC+5.0 - +7.6V)
Current	1.08W(typ) (=180mA)
Operating temperature	-10°C - +40°C (w/o condensation)
Storage temperature	-30°C - +70°C (w/o condensation)
Dimensions	18(φ) × 47.6(L)mm+lens
Weight	28g (with Glass f3.8mm lens)
Accessories	Holder ring set

【DIMENSIONS】 (mm)



SDT

Muehlbachstrasse 20

phone : +49-(0)8152-37200

e-mail : org@sdt-seitner.com

Dr. Seitner GmbH

D-82229 Seefeld / Germany

fax : +49-(0)8152-79880

homepage : www.sdt-seitner.com