

1/3" CCD Color Camera (DSP)

Watertec

WAT-250D

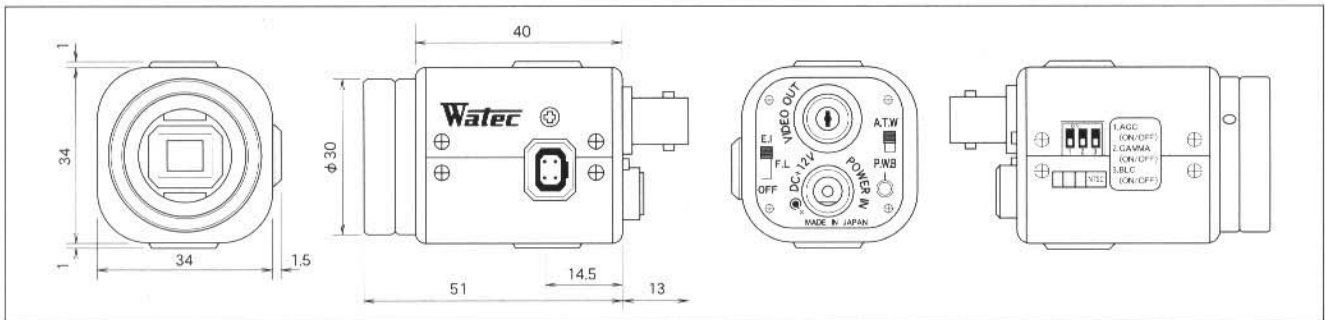


WAT-250D

FEATURES

1. Providing a 1/3" interline transfer CCD image sensor.
2. High sensitivity and high resolution color imaging.
3. AE mode consisting of EI, EL and OFF.
4. White Balance Mode: Auto and P.W.B. settings available.
5. Auto Iris function is automatically compatible for Video Iris and DC drive.

DIMENSIONS (mm)



SPECIFICATIONS

Model		WAT-250D (NTSC)	WAT-250D (PAL)
Pick-up element		1/3" Interline transfer CCD image sensor	
Number of pixels		811(H)×508(V)	795(H)×596(V)
Sensing area		768(H)×494(V)	752(H)×582(V)
Unit cell size		6.35μm(H)×7.4μm(V)	6.5μm(H)×6.25μm(V)
Sync system		Internal	
Scanning system		2:1 Interlaced	
Video output		Composite Video 1Vp-p 75 ohms (unbalanced)	
Horizontal resolution		Composite: more than 450 TV lines (center)	
Minimum illumination		0.1 lx. F1.2 (AGC High)	
AGC		AGC ON: 8~36dB, AGC OFF: fix gain 8dB	
S/N Ratio		50dB (AGC OFF, $\gamma=1$)	
AE mode	EI(Electronic Iris)	1/60~1/100000 sec.	1/50~1/100000 sec.
	FL(Flicker Less)	1/100 sec.	1/120 sec.
	OFF	1/60 sec.	1/50 sec.
White balance mode	A.T.W. AUTO(Auto trace)	automatically adjust the color temperature of the illumination.	
	P.W.B. (Push lock white balance)	Push button sets the required color temperature	
Back light compensation		ON/OFF selectable	
Iris control		DC drive (EIAJ) or Video signal (EIAJ) selectable	
γ Characteristic		$\gamma \approx 0.45$ (ON), 1.0(OFF) selectable	
Power supply		DC+10V~+15V (recommendation DC+12V $\pm 10\%$)	
Current consumption		max.150mA (at DC+12V, without Auto iris lens)	
Storage temperature		-30°C~+70°C	
Operating temperature		-10°C~+40°C	
Weights		approx.90g	

Design and specifications are subject to change without notice.

Watec

For further information, contact :



SDT - Dr. Seitner GmbH
 DR. SEITNER GMBH
 MUEHLBACHSTR. 20 PHONE: +49-(0)-8152-79064
 D-82229 SEEFELD FAX: +49-(0)8152-79880
 E-MAIL: org@SDT-Seitner.com
 HOMEPAGE: www.SDT-Seitner.com